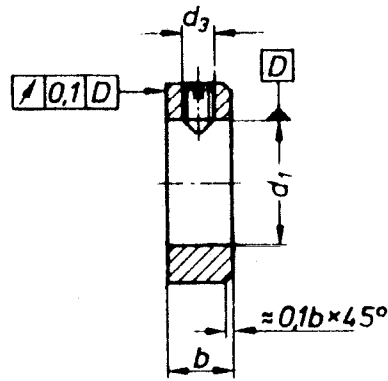
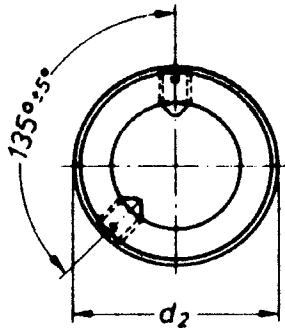


# STOPPRINGAR DIN 705



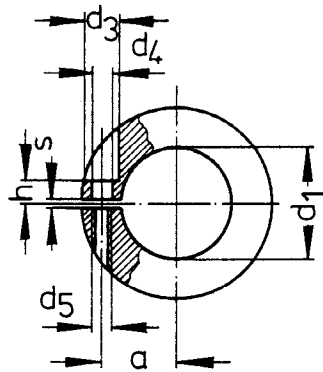
$d_1$ H8	$d_2$	$b$
2	6	3,5
2,5	7	4
3	7	5
3,5	8	5
4	8	5
4,5	10	6
5	10	6
5,5	12	6
6	12	8
7	12	8
8	16	8
9	18	10
10	20	10
11	20	10
12	22	12
13	22	12
14	25	12
15	25	12
16	28	12
17	28	12
18	32	14
20	32	14
22	36	14
24	40	16
25	40	16
26	40	16
28	45	16
30	45	16
32	50	16
34	50	16
35	56	16
36	56	16
38	56	16

$d_1$ H8	$d_2$	$b$
40	63	18
42	63	18
45	70	18
48	70	18
50	80	18
52	80	18
55	80	18
56	80	18
58	90	20
60	90	20
63	90	20
65	100	20
68	100	20
70	100	20
72	110	22
75	110	22
80	110	22
85	125	22
90	125	22
95	140	25
100	140	25
110	160	25
120	160	25
125	180	28
130	180	28
140	200	28
150	200	28
160	220	32
170	250	32
180	250	32
190	280	32
200	280	32

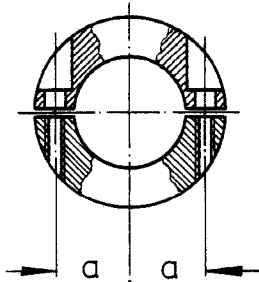
$d_1 > 70$  levereras med 2 st stoppskruvar, övriga med 1 st stoppskruv.

Material: Automatstål eller rostfritt

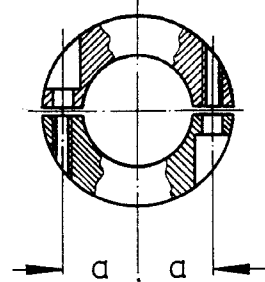
# SPÄNNRINGAR WNS



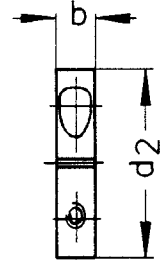
Utförande A



Utförande B



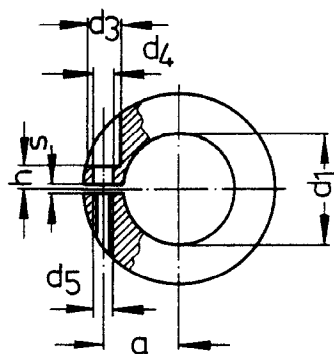
Utförande C



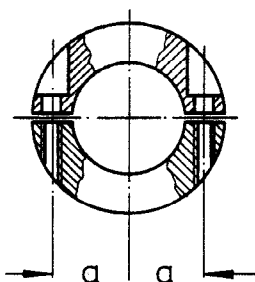
Art.nr	d <sub>1</sub> H8	d <sub>2</sub> h13	b j14	d <sub>3</sub>	d <sub>4</sub>	d <sub>5</sub>	a	s	h	Spännskruv
WNS-10	10	32	10	8	4,2	M 4	10,5	2	7	M 4x15
WNS-11	11	32	10	8	4,2	M 4	10,5	2	7	M 4x15
WNS-12	12	32	10	8	4,2	M 4	10,5	2	7	M 4x15
WNS-13	13	32	10	8	4,2	M 4	10,5	2	7	M 4x15
WNS-14	14	40	12	10	5,5	M 5	13,5	2	7	M 5x20
WNS-15	15	40	12	10	5,5	M 5	13,5	2	7	M 5x20
WNS-16	16	40	12	10	5,5	M 5	13,5	2	7	M 5x20
WNS-17	17	40	12	10	5,5	M 5	13,5	2	7	M 5x20
WNS-18	18	45	12	10	5,5	M 5	16	2	7	M 5x20
WNS-20	20	45	12	10	5,5	M 5	16	2	7	M 5x20
WNS-22	22	45	12	10	5,5	M 5	16	2	7	M 5x20
WNS-24	24	50	12	10	5,5	M 5	19	2	7	M 5x20
WNS-25	25	50	12	10	5,5	M 5	19	2	7	M 5x20
WNS-26	26	50	12	10	5,5	M 5	19	2	7	M 5x20
WNS-28	28	56	12	10	5,5	M 5	22	2	7	M 5x20
WNS-30	30	56	12	10	5,5	M 5	22	2	7	M 5x20
WNS-32	32	56	12	10	5,5	M 5	22	2	7	M 5x20
WNS-34	34	63	12	10	5,5	M 5	25	2	7	M 5x20
WNS-35	35	63	12	10	5,5	M 5	25	2	7	M 5x20
WNS-36	36	63	12	10	5,5	M 5	25	2	7	M 5x20
WNS-38	38	63	12	10	5,5	M 5	25	2	7	M 5x20
WNS-40	40	70	14	11	6,6	M 6	28	2	7	M 6x20
WNS-42	42	70	14	11	6,6	M 6	28	2	7	M 6x20
WNS-45	45	80	14	11	6,6	M 6	33	2	7	M 6x20
WNS-48	48	80	14	11	6,6	M 6	33	2	7	M 6x20
WNS-50	50	80	14	11	6,6	M 6	33	2	7	M 6x20
WNS-52	52	80	14	11	9	M 6	33	2	7	M 6x20
WNS-55	55	90	16	14	9	M 8	37	2	8	M 8x20
WNS-56	56	90	16	14	9	M 8	37	3	8	M 8x20
WNS-60	60	100	16	14	9	M 8	42	3	8	M 8x20
WNS-65	65	100	16	14	9	M 8	42	3	8	M 8x20
WNS-70	70	110	20	17	11	M10	45	3	10	M10x25
WNS-75	75	125	20	17	11	M10	53	3	10	M10x25
WNS-80	80	125	20	17	11	M10	53	3	10	M10x25
WNS-85	85	125	20	17	11	M10	53	3	10	M10x25
WNS-90	90	140	25	17	11	M10	60	3	13	M10x30
WNS-100	100	140	25	17	11	M10	60	3	13	M10x30
WNS-110	110	160	25	17	11	M10	70	3	13	M10x30
WNS-120	120	160	25	17	11	M10	70	3	13	M10x30
WNS-125	125	180	28	19	13	M12	77	3	23	M12x50
WNS-130	130	180	28	19	13	M12	77	3	23	M12x50
WNS-140	140	200	28	19	13	M12	87	3	23	M12x50
WNS-150	150	200	28	19	13	M12	87	3	23	M12x50
WNS-160	160	220	32	25	17	M16	95	3	23	M16x70
WNS-170	170	250	32	25	17	M16	107	3	34	M16x70
WNS-180	180	250	32	25	17	M16	107	3	34	M16x70
WNS-190	190	280	32	25	17	M16	120	3	42	M16x80
WNS-200	200	280	32	25	17	M16	120	3	42	M16x80

Material: Automatstål eller rostfritt

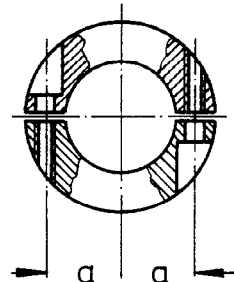
# SPÄNNRINGAR WND



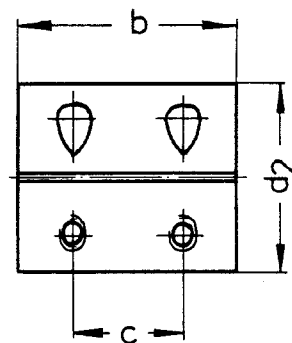
Utförande A



Utförande B



Utförande C



Art.nr	d <sub>1</sub> H8	d <sub>2</sub> h13	b j14	d <sub>3</sub>	d <sub>4</sub>	d <sub>5</sub>	a	s	h	c	Spännskruv
WND-10	10	32	28	10	5,5	M 5	10,5	2	7	14	M 5x15
WND-11	11	32	28	10	5,5	M 5	10,5	2	7	14	M 5x15
WND-12	12	32	28	10	5,5	M 5	10,5	2	7	14	M 5x15
WND-13	13	32	28	10	5,5	M 5	10,5	2	7	14	M 5x15
WND-14	14	40	36	11	6,6	M 6	13,5	2	7	18	M 6x20
WND-15	15	40	36	11	6,6	M 6	13,5	2	7	18	M 6x20
WND-16	16	40	36	11	6,6	M 6	13,5	2	7	18	M 6x20
WND-17	17	40	36	11	6,6	M 6	13,5	2	7	18	M 6x20
WND-18	18	45	40	11	6,6	M 6	16	2	7	20	M 6x20
WND-20	20	45	40	11	6,6	M 6	16	2	7	20	M 6x20
WND-22	22	45	40	11	6,6	M 6	16	2	7	20	M 6x20
WND-24	24	50	40	11	6,6	M 6	19	2	7	20	M 6x20
WND-25	25	50	40	11	6,6	M 6	19	2	7	20	M 6x20
WND-26	26	50	40	11	6,6	M 6	19	2	7	20	M 6x20
WND-28	28	56	40	11	6,6	M 6	22	2	7	20	M 6x20
WMD-30	30	56	40	11	6,6	M 6	22	2	7	20	M 6x20
WND-32	32	56	40	11	6,6	M 6	22	2	7	20	M 6x20
WND-34	34	63	40	11	6,6	M 6	25	2	7	20	M 6x20
WND-35	35	63	40	11	6,6	M 6	25	2	7	20	M 6x20
WND-36	36	63	40	11	6,6	M 6	25	2	7	20	M 6x20
WND-38	38	63	40	11	6,6	M 6	25	2	7	20	M 6x20
WND-40	40	70	45	11	6,6	M 6	28	2	7	25	M 6x20
WND-42	42	70	45	11	6,6	M 6	28	2	7	25	M 6x20
WND-45	45	80	45	11	6,6	M 6	33	2	7	25	M 6x20
WND-48	48	80	45	11	6,6	M 6	33	2	7	25	M 6x20
WND-50	50	80	45	11	6,6	M 6	33	2	7	25	M 6x20
WND-52	52	80	45	11	9	M 6	33	2	7	25	M 6x20
WND-55	55	90	50	14	9	M 8	37	3	8	25	M 8x20
WND-56	56	90	50	14	9	M 8	37	3	8	25	M 8x20
WND-60	60	100	50	14	9	M 8	42	3	8	25	M 8x20
WND-65	65	100	50	14	9	M 8	42	3	8	25	M 8x20
WND-70	70	110	60	17	11	M10	45	3	10	30	M10x25
WND-75	75	125	60	17	11	M10	53	3	10	30	M10x25
WND-80	80	125	60	17	11	M10	53	3	10	30	M10x25
WND-85	85	125	60	17	11	M10	53	3	10	30	M10x25
WND-90	90	140	60	17	11	M10	60	3	13	30	M10x30
WND-100	100	140	60	17	11	M10	60	3	13	30	M10x30
WND-110	110	160	60	17	11	M10	70	3	13	30	M10x30
WND-120	120	160	60	17	11	M10	70	3	13	30	M10x30
WND-125	125	180	75	19	13	M12	77	3	23	38	M12x50
WND-130	130	180	75	19	13	M12	77	3	23	38	M12x50
WND-140	140	200	75	19	13	M12	87	3	23	38	M12x50
WND-150	150	200	75	19	13	M12	87	3	23	38	M12x50
WND-160	160	220	100	25	17	M16	95	3	23	50	M16x70
WND-170	170	250	100	25	17	M16	107	3	34	50	M16x70
WND-180	180	250	100	25	17	M16	107	3	34	50	M16x70
WND-190	190	280	100	25	17	M16	120	3	42	50	M16x80
WND-200	200	280	100	25	17	M16	120	3	42	50	M16x80

Material: Automatstål eller rostfritt

# SPLIT SHAFTING COLLARS

 Preferred type, readily available (codes marked in red)

**SS**  
304  
AISI 304  
Stainless steel

**NPB**  
Nickel plated brass

**PA**  
FG  
Reinforced  
polyamide

## SPLIT SHAFTING COLLAR

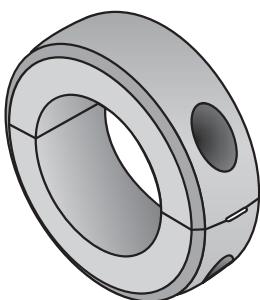
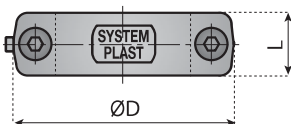
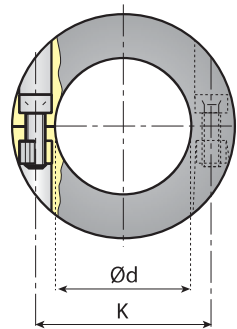
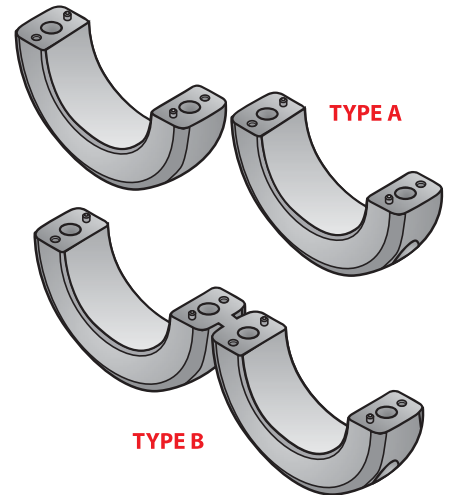
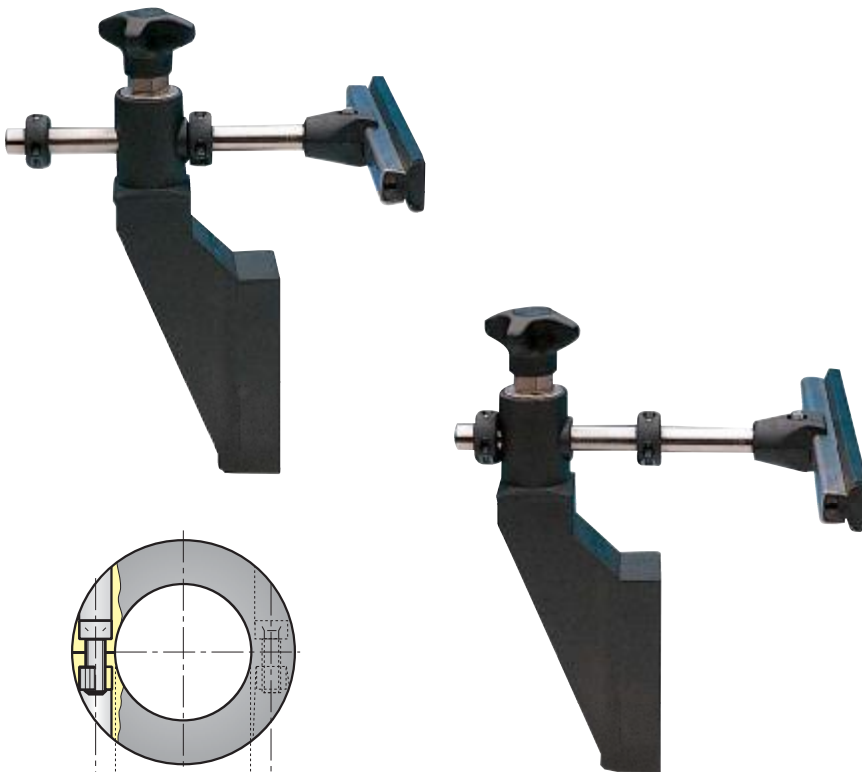
**Material:** reinforced polyamide, bolts in stainless steel, threaded insert in nickel plated brass.

**Use:** these parts can be used on the conveyors as a reference point when the side guides need to be repositioned.

**Note:** The new collars offer high corrosion resistance. The new part exhibits high strength at considerably less cost than stainless steel.

The new collars are the ideal replacement for conventional al collars in situation where they cannot be easily removed and replaced.

**Supply:** assembled.



Code	Type	d	D	L	K	Screws	
<b>12696</b>	B	10	30	12	20	M3	
<b>12698</b>	A	12	30	12	20	M3	
<b>12700</b>	A	14	28	12	20	M3	
<b>12697</b>	B	15	39	14	27	M4	
<b>12701</b>	A	16	30	12	22	M3	
<b>12699</b>	A	18	39	14	27	M4	
<b>12702</b>	A	20	39	14	29	M4	n°100
<b>12703</b>	A	25	44	14	34	M4	
<b>12704</b>	A	30	49	16	39	M4	
<b>12714</b>	B	30	49	14	39	M4	
<b>12705</b>	A	35	56	16	45	M4	
<b>12706</b>	A	40	64	18	51.5	M5	
<b>12715</b>	B	40	64	14	51.5	M4	

# SPLIT SHAFTING COLLARS FOR SHAFT WITH KEYWAY

 Preferred type, readily available (codes marked in red)



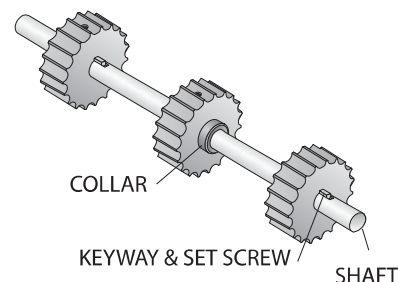
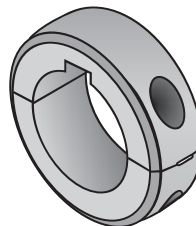
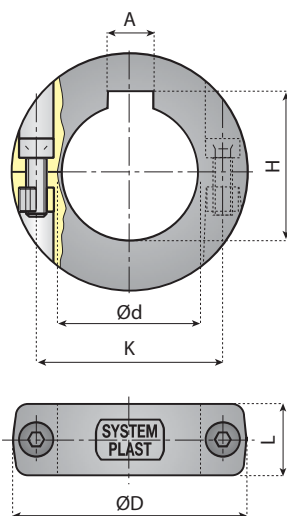
AISI 304  
Stainless steel



Nickel plated brass



Reinforced  
polyamide




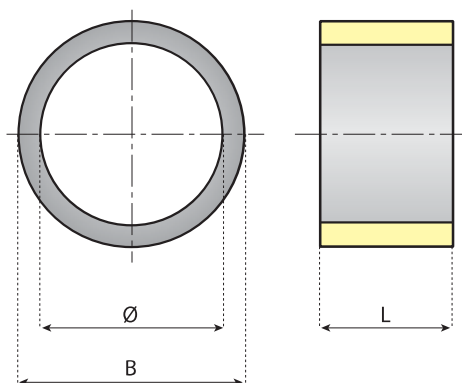
## SPLIT SHAFTING COLLAR

**Material:** reinforced polyamide, screws in stainless steel, threaded insert in nickel plated brass.


**Use:** for shaft with key way.

**Supply:** assembled.

Code	d	D	A	H	L	K	Screws	
<b>12710</b>	25	45	8	P9 28.3 <sup>+0.2</sup> <sub>0</sub>	14	34	M4	
<b>12709</b>	30	50	8	P9 33.3 <sup>+0.2</sup> <sub>0</sub>	16	39	M4	
<b>12708</b>	35	57	10	P9 38.3 <sup>+0.2</sup> <sub>0</sub>	16	45	M4	
<b>12707</b>	40	64	12	P9 43.3 <sup>+0.2</sup> <sub>0</sub>	18	51.5	M5	



## IDLER SPACER

Code	For shaft Ø	B	L	Material	
<b>12829</b>	30	40	29	n°50	PA
<b>12830</b>	40	50	29	n°50	PA



# SQUARE SPLIT SHAFTING COLLARS



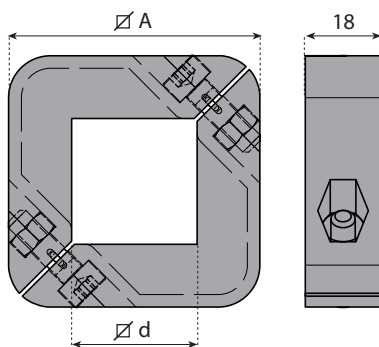
AISI 304  
Stainless steel



Nickel plated brass



Reinforced  
polyamide



**NEW**

## SQUARE SPLIT SHAFTING COLLAR

**Material:** reinforced polyamide, screws in stainless steel, threaded insert in nickel plated brass.

**Use:** for square shaft.

**Supply:** assembled.

Code	Ø d	Ø A
<b>12974</b>	30x30	60x60
<b>12975</b>	40x40	72x72
<b>12976</b>	60x60	95x95
<b>12977</b>	1.¼" x 1.¼"	60x60
<b>12978</b>	1.½" x 1.½"	72x72
<b>12979</b>	2" x 2"	95x95

