

# *dynax*<sup>®</sup> Actuators



*dynax CS 225*



*dynax CS 125*



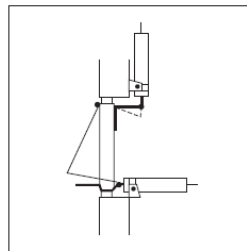
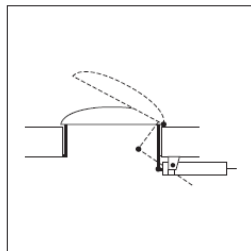
*dynax CS 65*

*dynax*<sup>®</sup>

# Dynax actuators

## – electric driven linear force

Open/close  
Intermediate position  
Raise/lower  
Adjustment  
Couple in/out  
Turn/regulate



Window-ventilation  
Venetian blind  
Open · Regulating · Closing

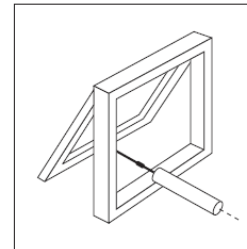
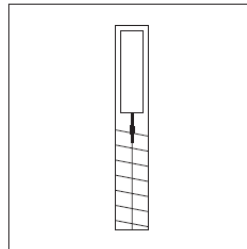
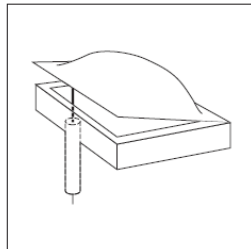
Design

Simple mounting  
Easy cleaning  
Few inspection

Built-in nature eloxeret  
Alu-pipe with black  
pom plastic covers  
POLYAMID 6

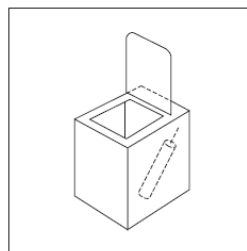
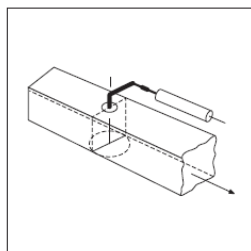
1 x 230 VAC  
Up to 3 x 400 VAC

Intermittens 10%  
built in motor 120°  
thermal cut-out

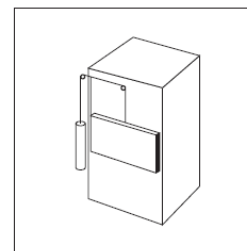


Filling station  
Pot cooker  
Open · Fill · Regulation  
Empty · Close

Damper

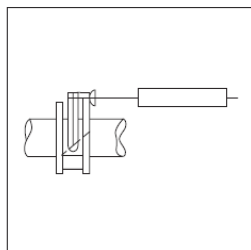


Bed-pan · Washer



Oven

Valves



### Mechanical specifications

	Force nominal N	Force max. N	Stroke length mm	Travel speed mm/s	Weight kg	Protection class
<b>CS 65</b>	650	750	200/300	11	2.1	IP54
<b>CS 125</b>	1250	2000	220	15	4.1	IP54
<b>CS 225</b>	2250	2500	270	12	7.5	IP54
<b>CS 300</b>	3000	3750	270	12	7.6	IP54

### Electrical specifications

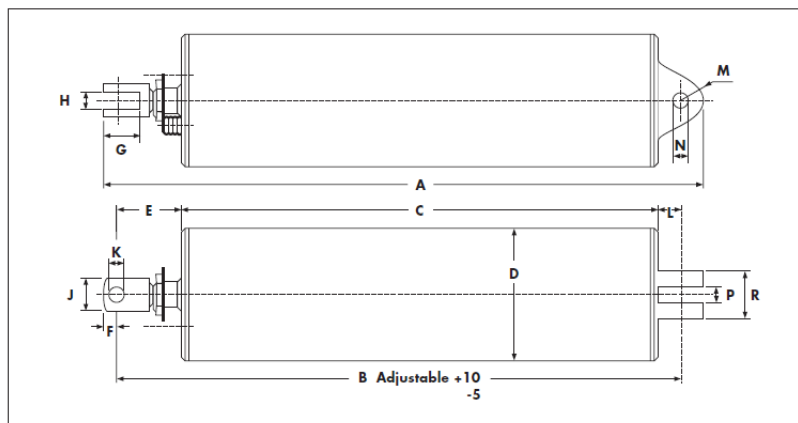
	Supply voltage Volt	Average current Amp.	Intermittant 100% = 10 min.	Thermal cut-out °C	Insulation class	Test voltage Volt
<b>CS 65</b>	1 x 230	0.45	10	120	B	2000
<b>CS 125</b>	1 x 230	0.75	10	120	B	2000
<b>CS 225</b>	1 x 230	2.75	10	120	B	2000
<b>CS 300</b>	1 x 230	3.00	10	120	B	2000

### Dimensions (mm) – see plan below

	A	B	C	D	E	F	G	H	J	K	L	M	N	P	R
<b>CS 65</b>	350	333	274	72	50	7	20	6	12	6	15	6	8	8	20
<b>CS 125</b>	405	378	309	88	60	12	32	10	20	10	15	10	10	10.2	30.2
<b>CS 225</b>	472	438	458	117	66	14	38	12	25	12	20	12	16	16.5	40
<b>CS 300</b>	472	438	458	117	66	14	38	12	25	12	20	12	16	16.5	40

### Trunnion mounting – see plan at back page

	A	B	C	D	E	F	G	H	K	L	M
<b>CS 65</b>	65	60	51	14	16	40	5.5	85	99	54	72
<b>CS 125</b>	74	74	60	20	16	54	5.5	101	115	70	88



Plan for dimensions

**Special versions**

Changed stroke length

Changed voltage (AC)

Changed speed

Spindle tube in stainless steel

Potentiometer build in

4-20 mA transducer build in

NPN/PNP puls sensor build in

Varistorer build in

Stand by heating build in

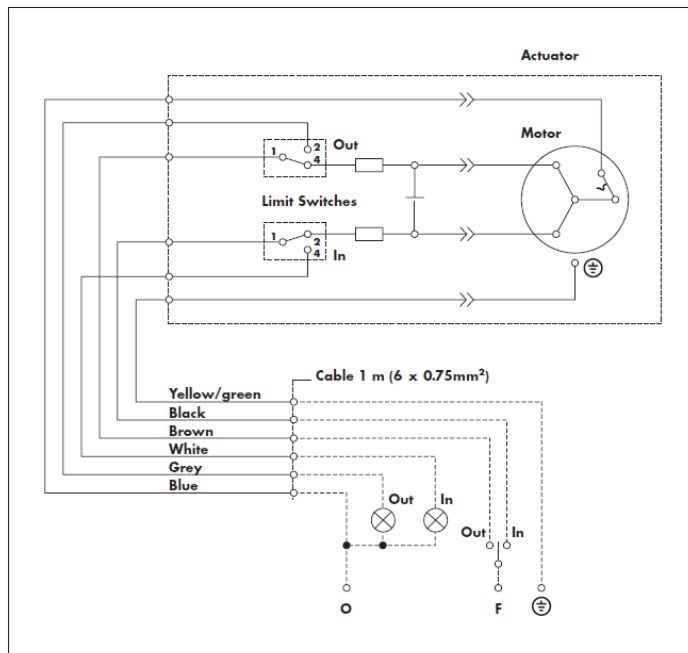
**Extra equipment**

Trunnion mounting

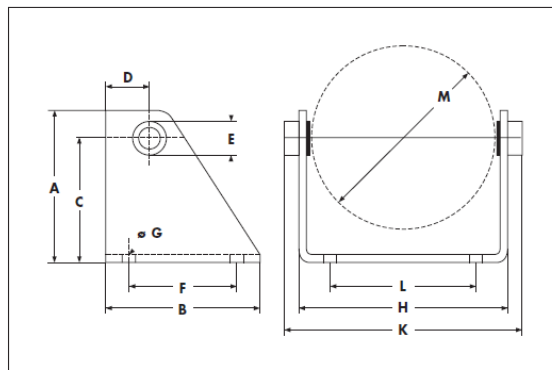
FAG link bearing

Ball-link

Differential relay for remote control



Diagram



Plan for trunnion mounting/ extra equipment



Litex AB  
 Box 9189  
 Sporregatan 25  
 20039 Malmö

Tel: 040-214120  
 info@litex.se  
 www.litex.se