

SANISTAR 
by SYSTEM PLAST

**High Quality Feet
in Stainless Steel**

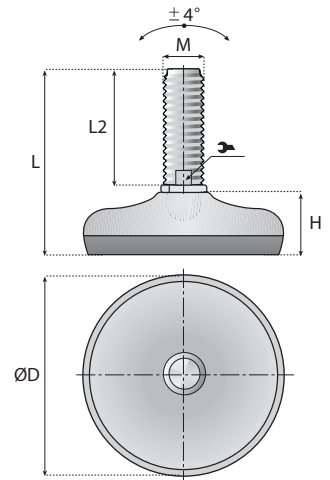
**Hygienic Design
Polished Surface
Vibration Absorbing
Anti slip Rubber Base
Material DIN 1.4301 - AISI 304
USDA approved design**



Fixed feet D.50 - D.75 - D.100 - D.125

TECHNICAL INFORMATION

Material:
Base, spindle and washer in:
INOX: *Stainless Steel Aisi 304*
Rubber: 70 shore hardness.
Packaging: 15 pieces.



D.50

Code			ØD	M	mm	L mm	L2 mm	H	UN
Assembled	Spindle only	Pad & Washer							
177000	831591	831585 (Pad)	50	M10	7	75	53	21	3000
177001	831592					100	78		
177002	831593					125	103		
177003	831594					95	78		
177004	831595					115	98		
177005	831596					135	118		
177006	831597			155	138				
177007	831598			105	88				
177008	831599			130	113				
177009	831600			155	138				
177010	831601	171351 (Washer)	M12	9	100	78			
177011	831602				140	118			
177012	831603				190	168			
177013	831604				210	188			

General tolerance on total height L ± 2 mm

D.75

Code			ØD	M	mm	L mm	L2 mm	H	UN
Assembled	Spindle only	Pad & Washer							
177050	831591	831586 (Pad)	75	M10	7	75	53	23	8000
177051	831592					100	78		
177052	831593					125	103		
177053	831594					100	78		
177054	831595					120	98		
177055	831596					140	118		
177056	831597			160	138				
177057	831598			110	88				
177058	831599			135	113				
177059	831600			160	138				
177060	831601	171351 (Washer)	M12	9	100	78			
177061	831602				140	118			
177062	831603				190	168			
177063	831604				210	188			

General tolerance on total height L ± 2 mm

D.100

Code			ØD	M	mm	L mm	L2 mm	H	UN
Assembled	Spindle only	Pad & Washer							
177100	831598	831587 (Pad)	100	M14	11	115	88	30	20000
177101	831599					140	113		
177102	831600					165	138		
177103	831601	105		78					
177104	831602	145		118					
177105	831603	195		168					
177106	831604	215		188					
177107	831605	120		88					
177108	831606	155		123					
177109	831607	200		168					
177110	831608	230	198						
177111	831609	171351 (Washer)	M16	13	135	103			
177112	831610				165	133			
177113	831611				205	173			

General tolerance on total height L ± 2 mm

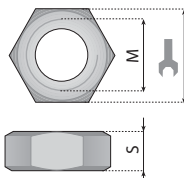
D.125

Code			ØD	M	mm	L mm	L2 mm	H	UN
Assembled	Spindle only	Pad & Washer							
177150	831598	831589 (Pad)	125	M14	11	120	88	32	30000
177151	831599					145	113		
177152	831600					170	138		
177153	831601	110		78					
177154	831602	150		118					
177155	831603	200		168					
177156	831604	220		188					
177157	831605	120		88					
177158	831606	155		123					
177159	831607	200		168					
177160	831608	230	198						
177161	831609	171351 (Washer)	M16	13	135	103			
177162	831610				165	133			
177163	831611				205	173			

General tolerance on total height L ± 2 mm

ACCESSORIES

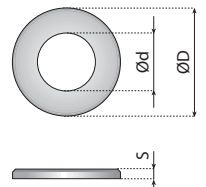
Code	NUTS		
	M	mm	S
171333	10	17	8
171335	12	19	10
171337	14	22	11
171339	16	24	13
171341	20	30	16
171343	24	36	19



Nuts: UNI 5588-65 **Packaging:** 15 pieces

ACCESSORIES

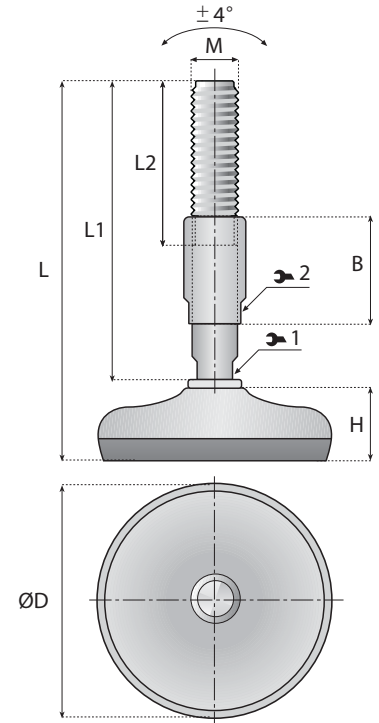
Code	WASHERS		
	Ød	ØD	S
171353	10.5	21	2
171355	13	24	2.5
171357	15	28	2.5
171359	17	30	3
171361	21	37	3
171363	25	44	4



Washer: UNI 6592-69 **Packaging:** 15 pieces

Upon request and for suitable quantities, all feet on this page can be modified to meet different specifications, i.e. we can modify spindle length, spindle thread to meet specific requirements.

Fixed feet D.75 - D.100 - D.125 with thread cover



TECHNICAL INFORMATION

Material:
Base, spindle and washer in:
INOX: Stainless Steel Aisi 304
Rubber: 70 shore hardness.
Packaging: 15 pieces.

D.75

Code				ØD	M mm	1 mm	L mm	L1 mm	L2 mm	H mm	B mm	2 mm	
Assembled	Spindle only	Bushing only	Pad & Washer										
177300	831615	831621	831586 (Pad) 171351 (Washer)	75	M16	13	185	160	110	23	55	19	8000
177301	831616	831622					235	210	130		85		
177302	831617	831623			M20	16	185	160	110		55	24	
177303	831618	831624					235	210	130		85		
177304	831619	831625			M24	19	185	160	110		55	27	
177305	831620	831626					235	210	130		85		

General tolerance on total height $L \pm 2$ mm

D.100

Code				ØD	M mm	1 mm	L mm	L1 mm	L2 mm	H mm	B mm	2 mm	
Assembled	Spindle only	Bushing only	Pad & Washer										
177310	831615	831621	831587 (Pad) 171351 (Washer)	100	M16	13	190	160	110	30	55	19	20000
177311	831616	831622					240	210	130		85		
177312	831617	831623			M20	16	190	160	110		55	24	
177313	831618	831624					240	210	130		85		
177314	831619	831625			M24	19	190	160	110		55	27	
177315	831620	831626					240	210	130		85		

General tolerance on total height $L \pm 2$ mm

D.125

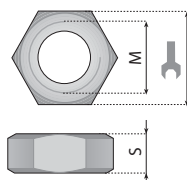
Code				ØD	M mm	1 mm	L mm	L1 mm	L2 mm	H mm	B mm	2 mm	
Assembled	Spindle only	Bushing only	Pad & Washer										
177320	831615	831621	831589 (Pad) 171351 (Washer)	125	M16	13	195	160	110	32	55	19	30000
177321	831616	831622					245	210	130		85		
177322	831617	831623			M20	16	195	160	110		55	24	
177323	831618	831624					245	210	130		85		
177324	831619	831625			M24	19	195	160	110		55	27	
177325	831620	831626					245	210	130		85		

General tolerance on total height $L \pm 2$ mm

ACCESSORIES

Code	NUTS		
	M		S
171339	16	24	13
171341	20	30	16
171343	24	36	19

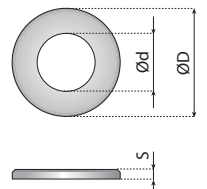
Nuts: UNI 5588-65 Packaging: 15 pieces



ACCESSORIES

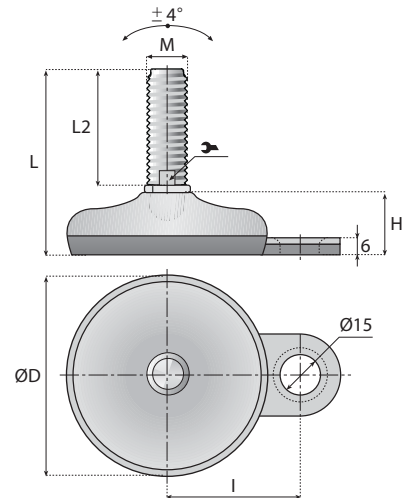
Code	WASHERS		
	Ød	ØD	S
171359	17	30	3
171361	21	37	3
171363	25	44	4

Washer: UNI 6592-69 Packaging: 15 pieces



Upon request and for suitable quantities, all feet on this page can be modified to meet different specifications, i.e. we can modify spindle length, spindle thread to meet specific requirements.

Fixed feet D.75 - D.100 with hole



TECHNICAL INFORMATION

Material:
Base, spindle and washer in:
INOX: *Stainless Steel Aisi 304*
Rubber: 70 shore hardness.
Packaging: 15 pieces.

D.75

Code			ØD	M	mm	L mm	L2 mm	I mm	H mm	N
Assembled	Spindle only	Pad & Washer								
177200	831591	831612 (Pad)	75	M10	7	75	53	52.5	23	8000
177201	831592					100	78			
177202	831593					125	103			
177203	831594			M12	9	100	78			
177204	831595					120	98			
177205	831596					140	118			
177206	831597					160	138			
177207	831598			M14	11	110	88			
177208	831599					135	113			
177209	831600					160	138			
177210	831601	M16	13	100	78					
177211	831602			140	118					
177212	831603			190	168					
177213	831604			210	188					

General tolerance on total height L ± 2 mm

D.100

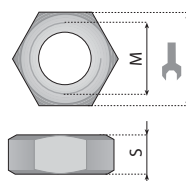
Code			ØD	M	mm	L mm	L2 mm	I mm	H mm	N
Assembled	Spindle only	Pad & Washer								
177250	831598	831613 (Pad)	100	M14	11	115	88	65	30	20000
177251	831599					140	113			
177252	831600					165	138			
177253	831601	171351 (Washer)		M16	13	105	78			
177254	831602					145	118			
177255	831603					195	168			
177256	831604					215	188			
177257	831605	831614 (Pad)		M20	16	120	88			
177258	831606					155	123			
177259	831607					200	168			
177260	831608		230			198				
177261	831609	171353 (Washer)	M24	19	135	103				
177262	831610				165	133				
177263	831611				205	173				

General tolerance on total height L ± 2 mm

ACCESSORIES

Code	NUTS		
	M	mm	S
171333	10	17	8
171335	12	19	10
171337	14	22	11
171339	16	24	13
171341	20	30	16
171343	24	36	19

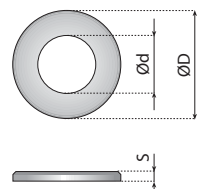
Nuts: UNI 5588-65 **Packaging:** 15 pieces



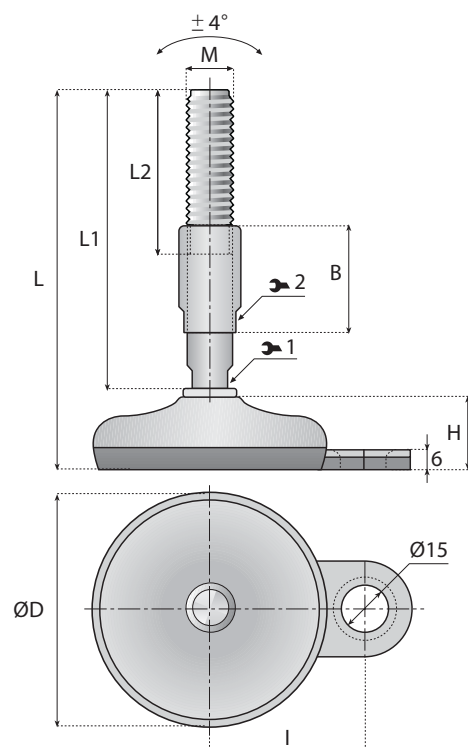
ACCESSORIES

Code	WASHERS		
	Ød	ØD	S
171353	10.5	21	2
171355	13	24	2.5
171357	15	28	2.5
171359	17	30	3
171361	21	37	3
171363	25	44	4

Washer: UNI 6592-69 **Packaging:** 15 pieces



Fixed feet D.75 - D.100 with hole and thread cover



TECHNICAL INFORMATION

Material:

Base, spindle and washer in:

INOX: Stainless Steel Aisi 304

Rubber: 70 shore hardness.

Packaging: 15 pieces.

D.75

Code				ØD	M mm	1 mm	L mm	L1 mm	L2 mm	I mm	H mm	B mm	2 mm	N	
Assembled	Spindle only	Bushing only	Pad & Washer												
177350	831615	831621	831612 (Pad)	75	M16	13	185	160	110	52.5	23	55	19	8000	
177351	831616	831622					235	210	130			85			
177352	831617	831623	171351 (Washer)		M20	16	185	160	110			55			24
177353	831618	831624					235	210	130			85			
177354	831619	831625			M24	19	185	160	110			55			27
177355	831620	831626					235	210	130			85			

General tolerance on total height L ± 2 mm

D.100

Code				ØD	M mm	1 mm	L mm	L1 mm	L2 mm	I mm	H mm	B mm	2 mm	N	
Assembled	Spindle only	Bushing only	Pad & Washer												
177360	831615	831621	831613 (Pad)	100	M16	13	190	160	110	65	30	55	19	20000	
177361	831616	831622					240	210	130			85			
177362	831617	831623	171351 (Washer)		M20	16	190	160	110			55			24
177363	831618	831624					240	210	130			85			
177364	831619	831625			M24	19	190	160	110			55			27
177365	831620	831626					240	210	130			85			

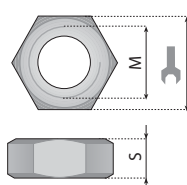
General tolerance on total height L ± 2 mm

ACCESSORIES

Code	NUTS		
	M	1	S
171339	16	24	13
171341	20	30	16
171343	24	36	19

Nuts: UNI 5588-65

Packaging: 15 pieces

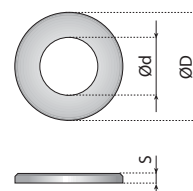


ACCESSORIES

Code	WASHERS		
	Ød	ØD	S
171359	17	30	3
171361	21	37	3
171363	25	44	4

Washer: UNI 6592-69

Packaging: 15 pieces



Upon request and for suitable quantities, all feet on this page can be modified to meet different specifications, i.e. we can modify spindle length, spindle thread to meet specific requirements.