

880 TAB CHAIN FOR VACUUM CONVEYORS

TARGET INDUSTRIES:

CAN MAKING INDUSTRY

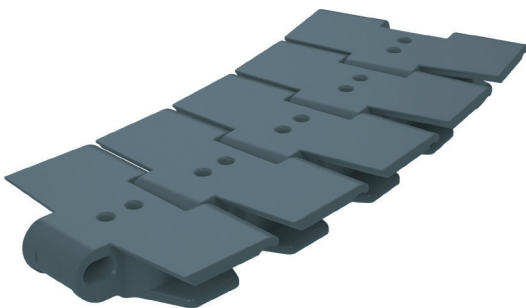
The product is special designed for high speed side flexing single file vertical conveyors for empty cans

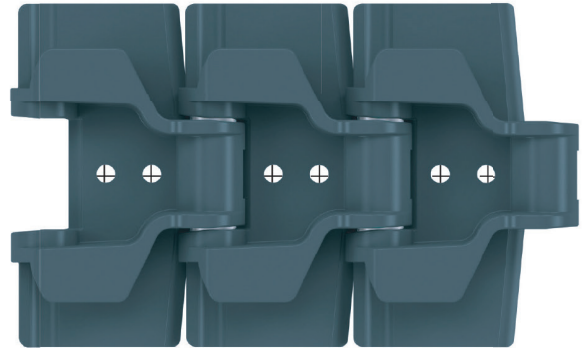
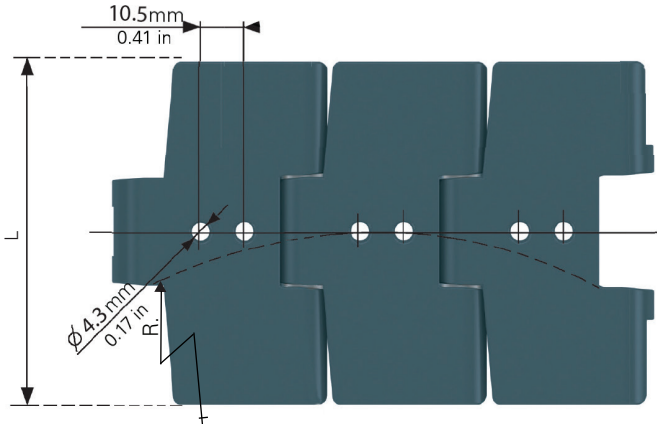
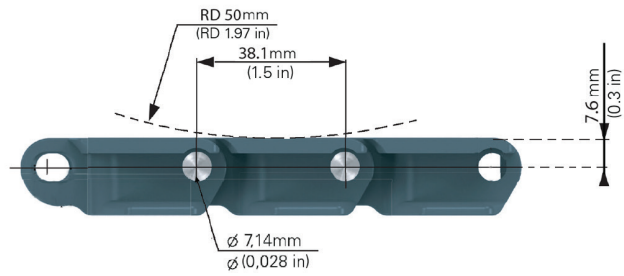
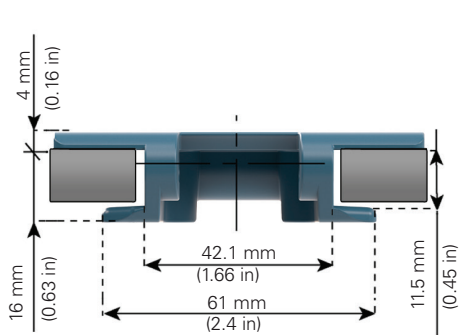
DESIGN ADVANTAGES

- Engineered position and size of the holes for optimum product handling and high speed running conveyors

MATERIAL ADVANTAGES

- Average service life: +60%
- Lower friction
- Less noise
- Less dust
- Increased PV limit
- Higher speed without lubrication
- Resistant to 120 C in air
- Best chemical and UV resistance
- Approved for direct food contact





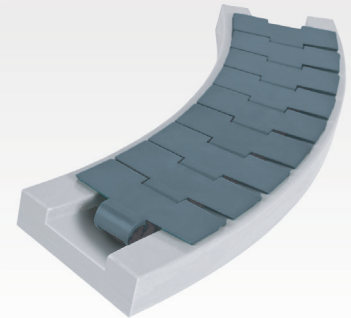
What **if**

you could have both energy savings and longer chain life ?

Nolu-S® & NG EVO™ combination helps you achieve sustainability and total cost of ownership goals. NGevo material can double the wear life of your chain and modular plastic belts compared to commonly applied plastic materials*. It also expands the options for dry running conveying.

Nolu-S® is a unique component of UHMW-PE and a solid lubricant. It provides a lower coefficient of friction while maintaining the characteristics of UHMW-PE

*LF Acetal material



**SYSTEM
PLAST™**

System Plast S.R.L.

Via Guareschi, nr. 2, 24060 Telgate (BG)
Customer Service: +39 035. 835 1301
Fax: +39 053. 835 1399
E-mail: info@systemplast.com
www.RegalPTS.com

APPLICATION CONSIDERATIONS

The proper selection and application of power transmission products and components, including the related area of product safety, is the responsibility of the customer. Operating and performance requirements and potential associated issues will vary appreciably depending upon the use and application of such products and components. The scope of the technical and application information included in this publication is necessarily limited. Unusual operating environments and conditions, lubrication requirements, loading supports, and other factors can materially affect the application and operating results of the products and components and the customer should carefully review its requirements. Any technical advice or review furnished by Regal Beloit America, Inc. and its affiliates with respect to the use of products and components is given in good faith and without charge, and Regal assumes no obligation or liability for the advice given, or results obtained, all such advice and review being given and accepted at customer's risk. For a copy of our Standard Terms and Conditions of Sale, Disclaimers of Warranty, Limitation of Liability and Remedy, please contact Customer Service at 1-800-626-2120. These terms and conditions of sale, disclaimers and limitations of liability apply to any person who may buy, acquire or use a Regal Beloit America Inc. product referred to herein, including any person who buys from a licensed distributor of these branded products.

System Plast and Regal are trademarks of Regal Beloit Corporation or one of its affiliated companies.
©2016 Regal Beloit Corporation, All Rights Reserved. MCB16077E • Form# 10048E •

Product Description	Width L		R min.	
	mm	in	mm	in
NGE880-TAB-K325VAC43x2	82.5	3 ¼	500	19.7

On request other types of chains with vacuum holes can be provided.

