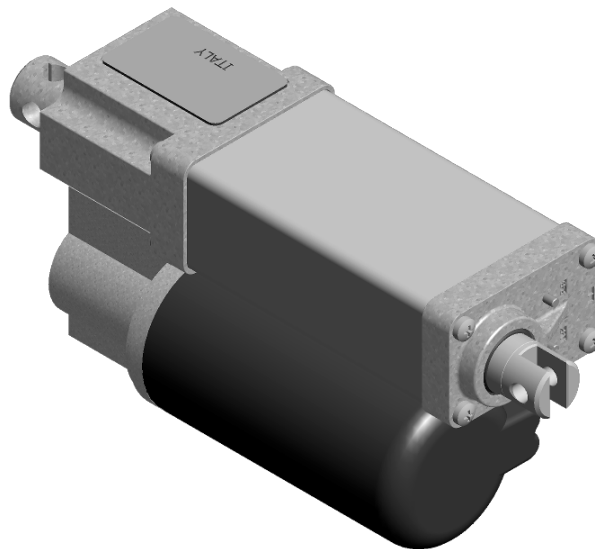


ALI1-P Model C€

- Permanent magnet motor 12 - 24 Vdc
- Double worm gearbox
- ACME lead screw
- Aluminum push rod (Stainless steel on request)
- Permanent grease lubrication
- IP 65, tested according to rule CEI EN 60529
- Working temperature range -10°C +60°C
- Intermittent duty S3 30% (5 min) a 30°C*
- Encoder on request
- Limit switches on request (ALI1-PF)

(*) For any special duty please contact our technical dept.



ALI1-P (Vdc)						
Fmax (N)	Speed (mm/s)	Version	Motor size	Motor power (KW)	Motor speed (rpm)	Max Current for F max(A) 24Vcc
1200	16.5	M01	40	-	6000	4,2
1550	11	M02	40	-	6000	3,8
2000	8.3	M03	40	-	6000	3,9
2500	5.6	M04	40	-	6000	3,6
2500	2.8	M05	40	-	6000	2,8
2500	0.9	M06	40	-	6000	1,8

When stroke is longer than 200 mm, check STROKE SETUP section.

** For 12 Vdc power supply currents are doubled and loads are 20% lower.

BEFORE OPERATING ACTUATOR MAKE SURE YOU READ AND UNDERSTOOD BASIC OPERATIONAL INSTRUCTIONS SHOWN ON USERMANUALS, AVAILABLE FROM WEBSITE.

THIS DOCUMENT DISPLAYS MOST TYPICAL STANDARD FEATURES AND SETUPS: CONTACT OUR OFFICES FOR MORE.

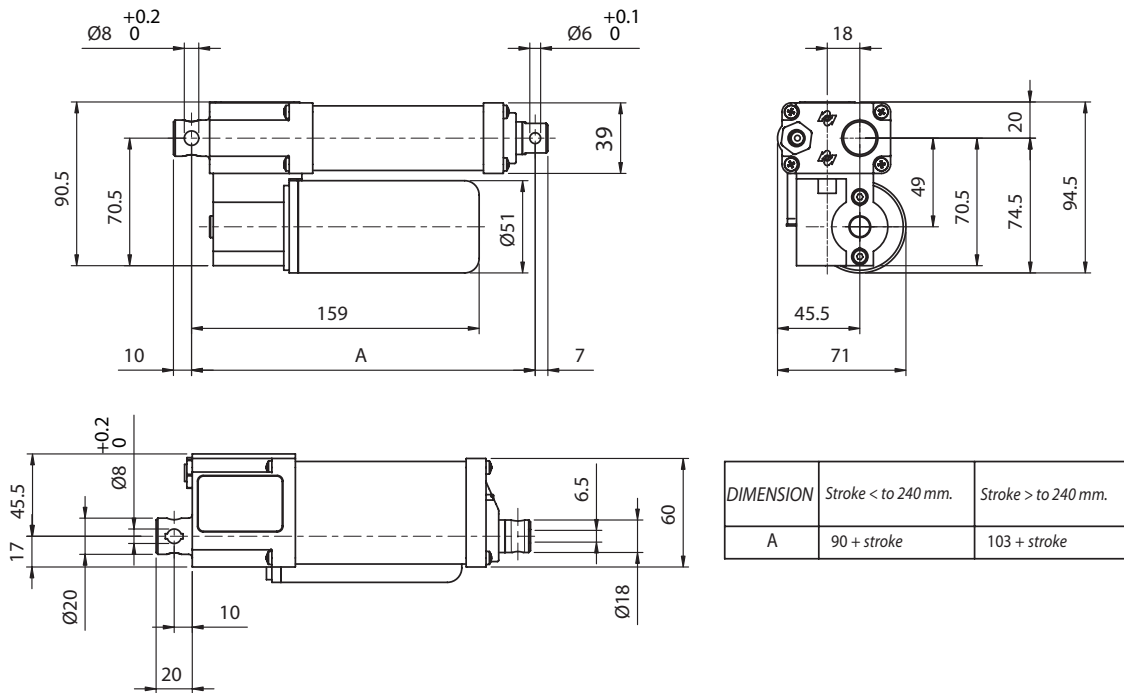
ACTUATOR SHALL NOT COME TO **MECHANICAL STROKE-END**, TO AVOID **FAILURES**.

CONSIDER MECVEL's LIMITSWITCHES (MODEL ALI1-PF) OR PUT THEM ON MACHINE/FRAME.



MecVel reserves the right to change products information and/or features without notice; all data contained in this catalogue are purely indicative and not binding for the company.

ALI1-P



ELECTRICAL WIRINGS

Options available:

- C01/C08 = motor
- C02/C09 = N° 2 microswitches, diode-wired
- C03/C10 = motor + N° 2 micro
- C04/C11 = motor + N° 3 micro
- C05/C12 = motor + encoder
- C06/C13 = N° 2 micro diode wired + encoder
- C07/C14 = motor + N° 2 micro + encoder
- C00 = special wiring (Presence of not standard options)

WARNING:

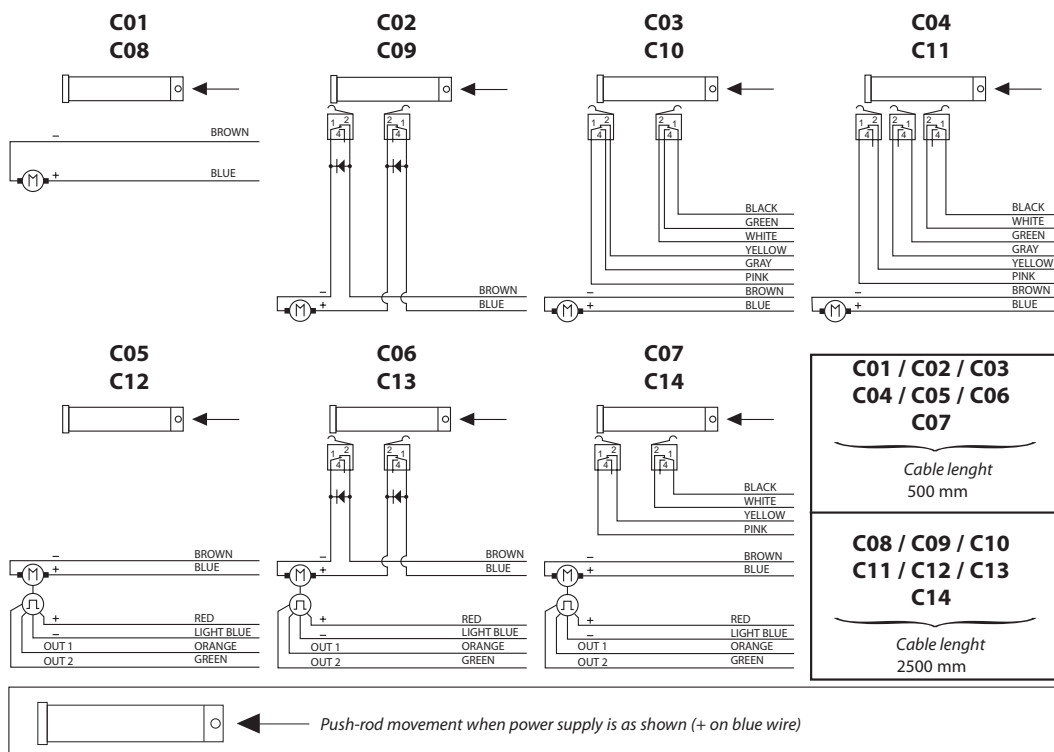
Micros are actuated by a cam lying on push-rod itself. Micro signal, for high speeds needs to be handled in its very impulse (I.E. when actuated) and not in its state.

Alternatively, MecVel can add a bush to keep the microswitch lever pressed for a longer time avoiding switch signal mistakes, but cause loss of 10 mm of stroke. Connections C02 and C06 make a circuit which stops motor supply, so that the push rod won't overstep the area of the two micros.

This system can work only if inertia generated by the actuator and load connected to it does not allow to over-step the micro when stroke is over.

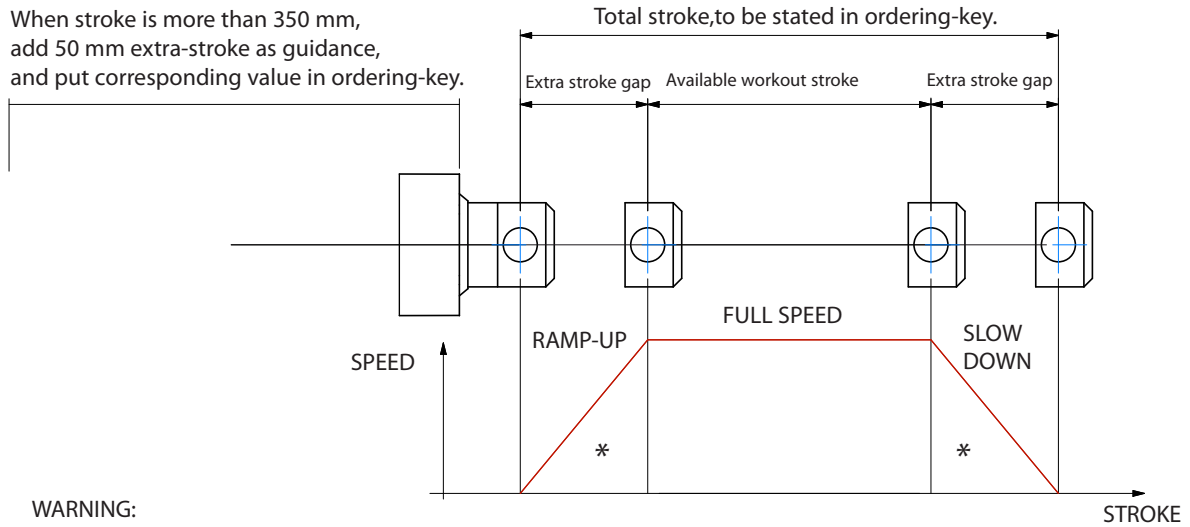
So, this works just with low speeds (M01 - M03), with a load opposing the ongoing direction of the push rod. If not, relay or PLC solutions, using C03 and C07 connections, are needed.

Wiring diagrams of connections above are following:



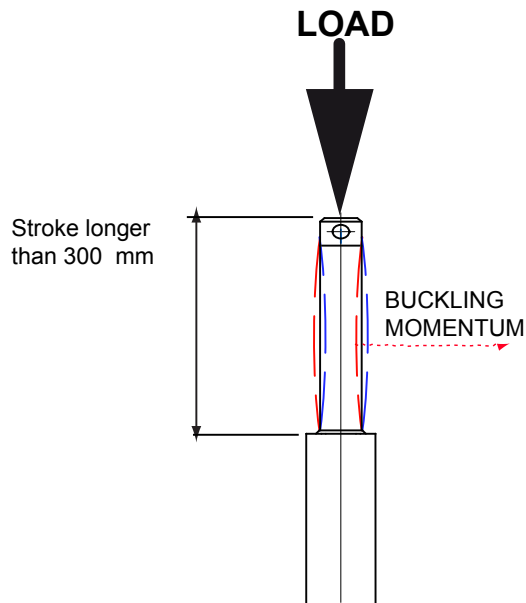
STROKE SETUP: Useful tips for handling stroke and avoid run-on-block collision.

When stroke is more than 350 mm, add 50 mm extra-stroke as guidance, and put corresponding value in ordering-key.



WARNING:
SPEED-TIMING ALONG STROKELENGTH:
 ramps are extremely important with high speed !!! Inverter or PWM drive recommended!
 * The more speed raises the more extra stroke has to raise too.

BUCKLING: With strokes longer than 300mm, BUCKLING can be a risk: please check mounting with our offices and/or see usermanuals.



IMPORTANT:
 Long strokes, even if load is low, can generate significant buckling momentums, as sketch slows.
 This happens when actuator is in its all-opened position: that's the reason why we recommend 100 mm extra-stroke.
 Pushtube will have this 100 mm-portion always inside the overtube, improving guidance against buckling.
 For more information on this, contact our office.

ORDERING KEY

ALI1P / 0250 / M01 / 12 / M0 / C02 / P1 / A1

MODEL: _____
 ALI1-P (without limit switches) ALI1-PF (with limit switches)

STROKE: _____
 es. 250 mm = 0250

VERSION: (pag.17) _____
 M01 / M02/ M03 / M04 / M05/ M06
 M00 = Not standard speed

MOTOR: (available) _____
 12 = 12 Vdc
 24 = 24 Vdc

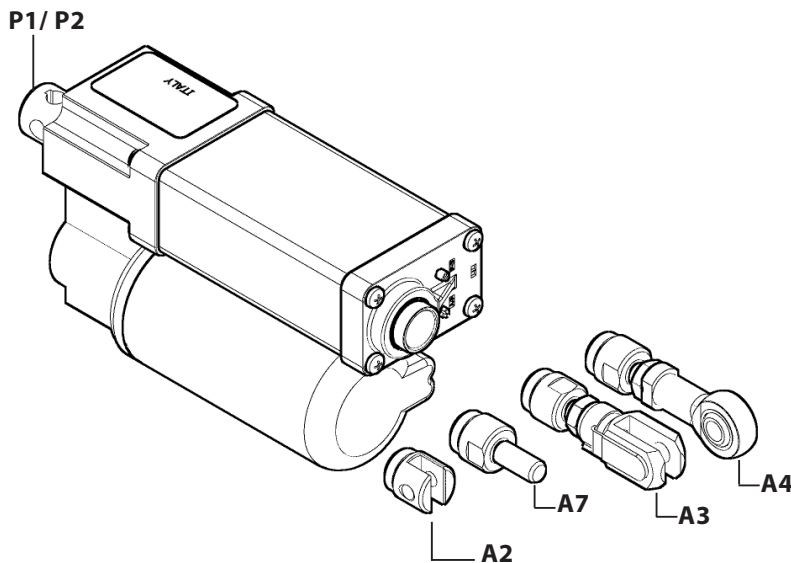
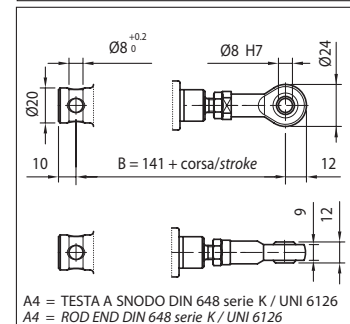
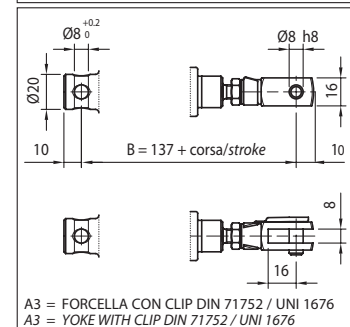
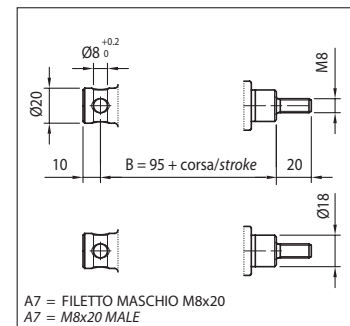
MOTOR POSITION: _____
 M0 / M1

MOTOR OPTIONS: _____
C01 / C08: Motore / Motor
C02 / C09: 2LS Diode wired
C03 / C10: Motor + 2LS
C04 / C11: Motor + 3LS
C05 / C12: Motor + encoder
C06 / C13: 2LS diode wired + encoder
C07 / C14: Motor + encoder + 2LS
C00: Special wiring (Presence of not standard options)
 Note: LS (limit switches)

REAR END: _____
 P0 = None P1 / P2 = standard

FRONT END: _____
 A2 = Yoke (Std pag.18) A3 = Yoke + Clip
 A4 = Rod end A7 = M8x20 male

NOTE: COMPLETE THE ORDERING KEY ADDING THE OPTIONS YOU CAN FIND IN THE "ACCESSORIES AND OPTIONS" SECTION



Note: "B" dimension changes according to model

ALI1-PF = See pictures
 ALI1-PF stroke > 240 mm = + 13 mm